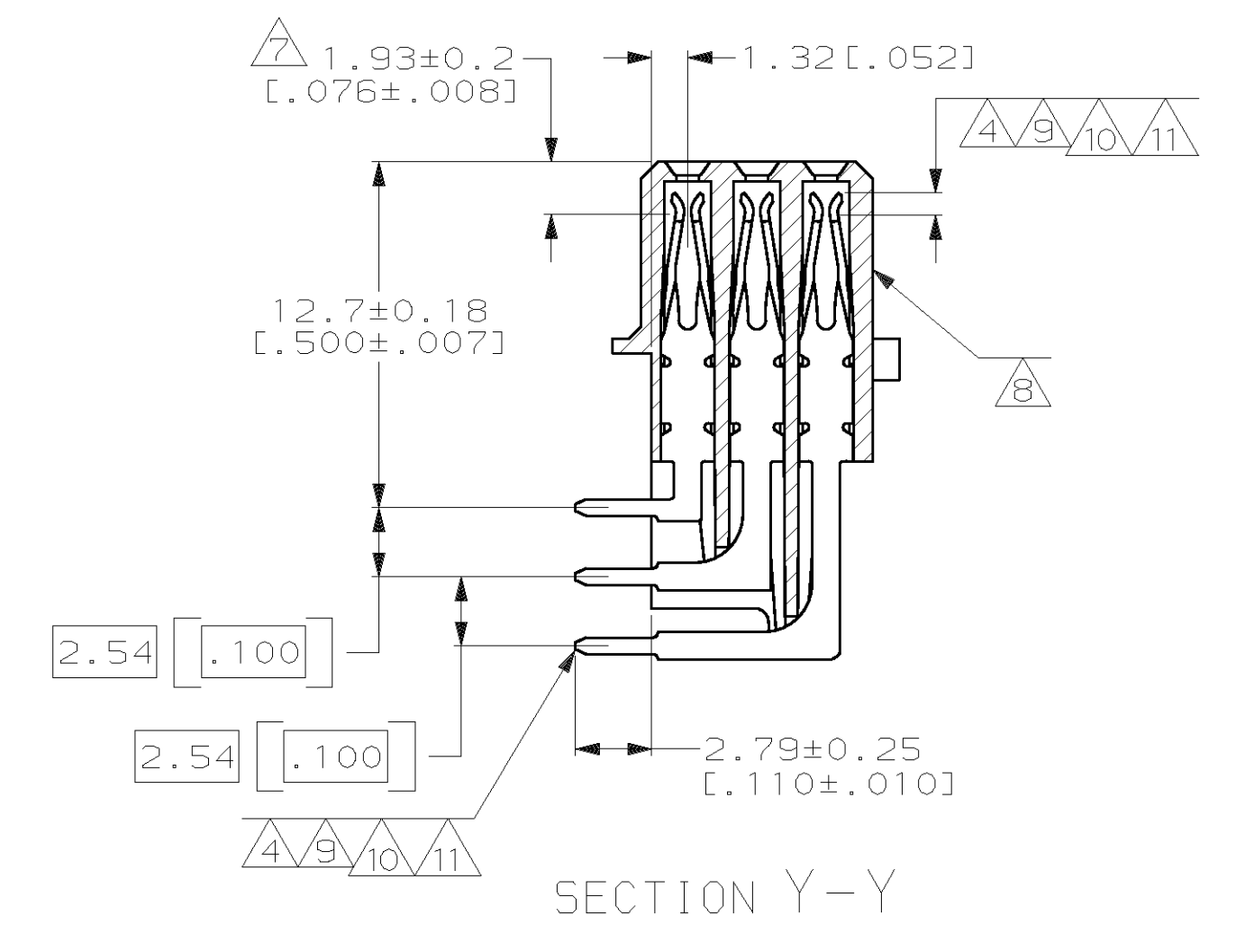
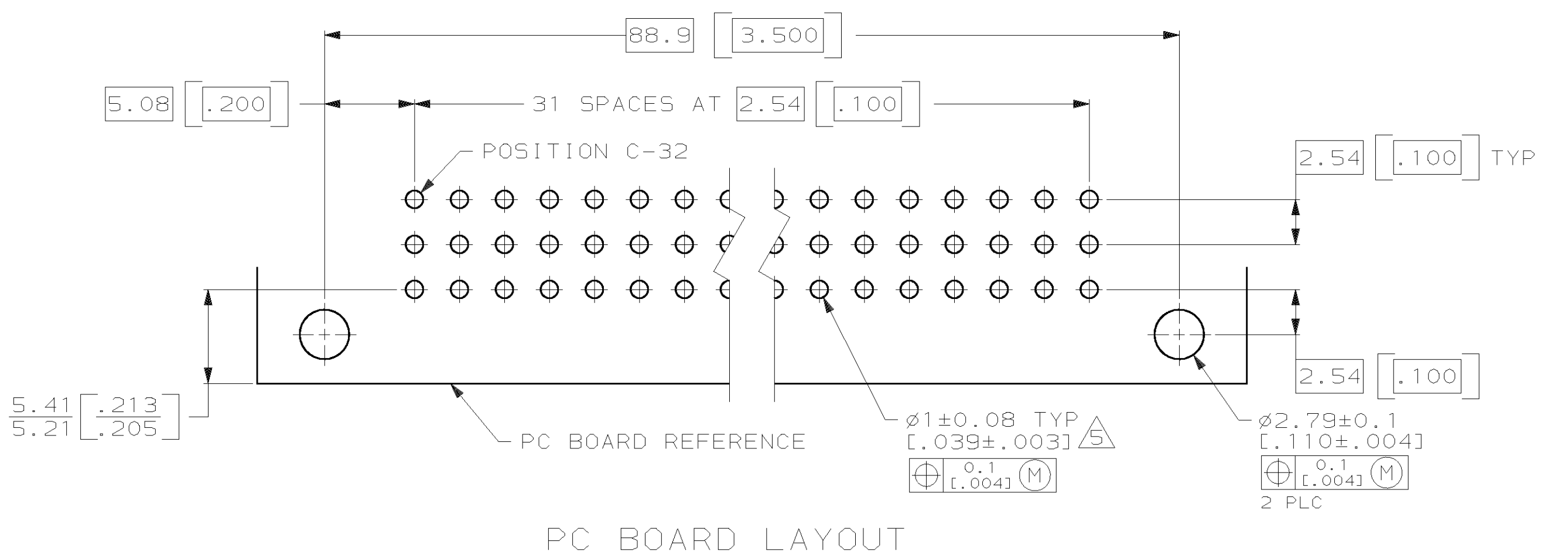
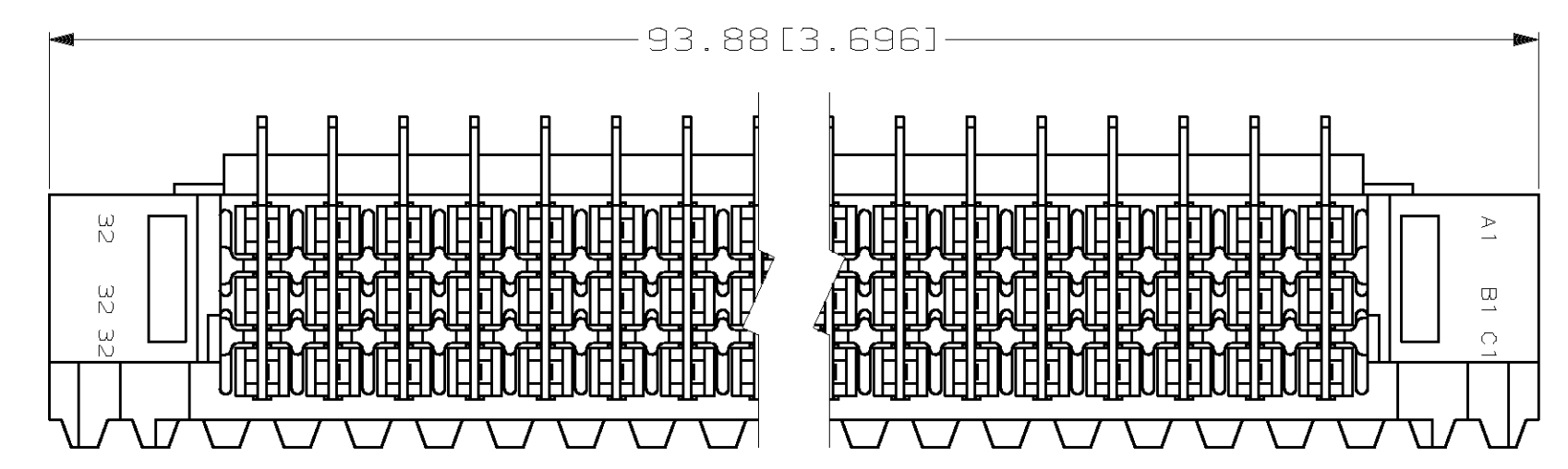
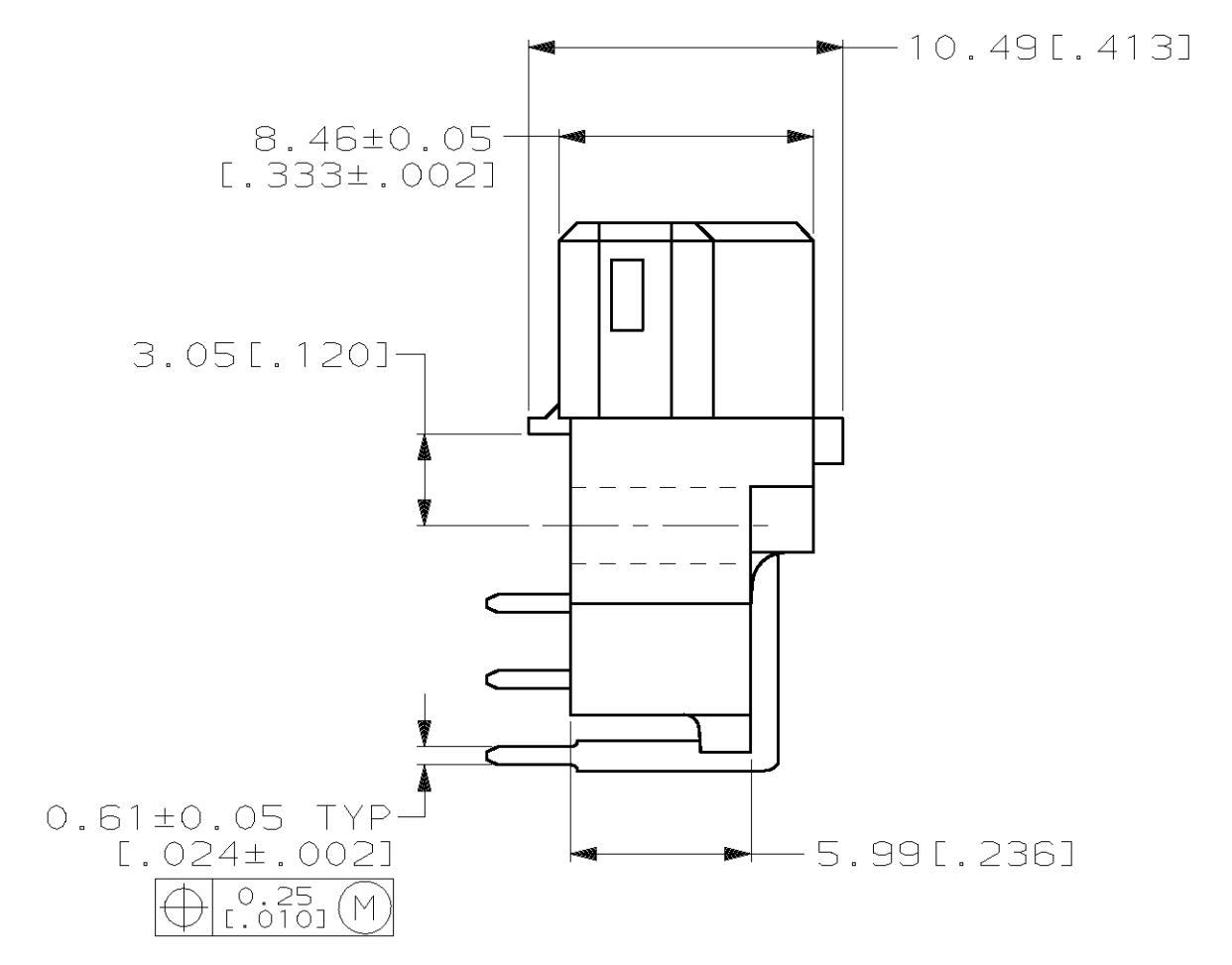
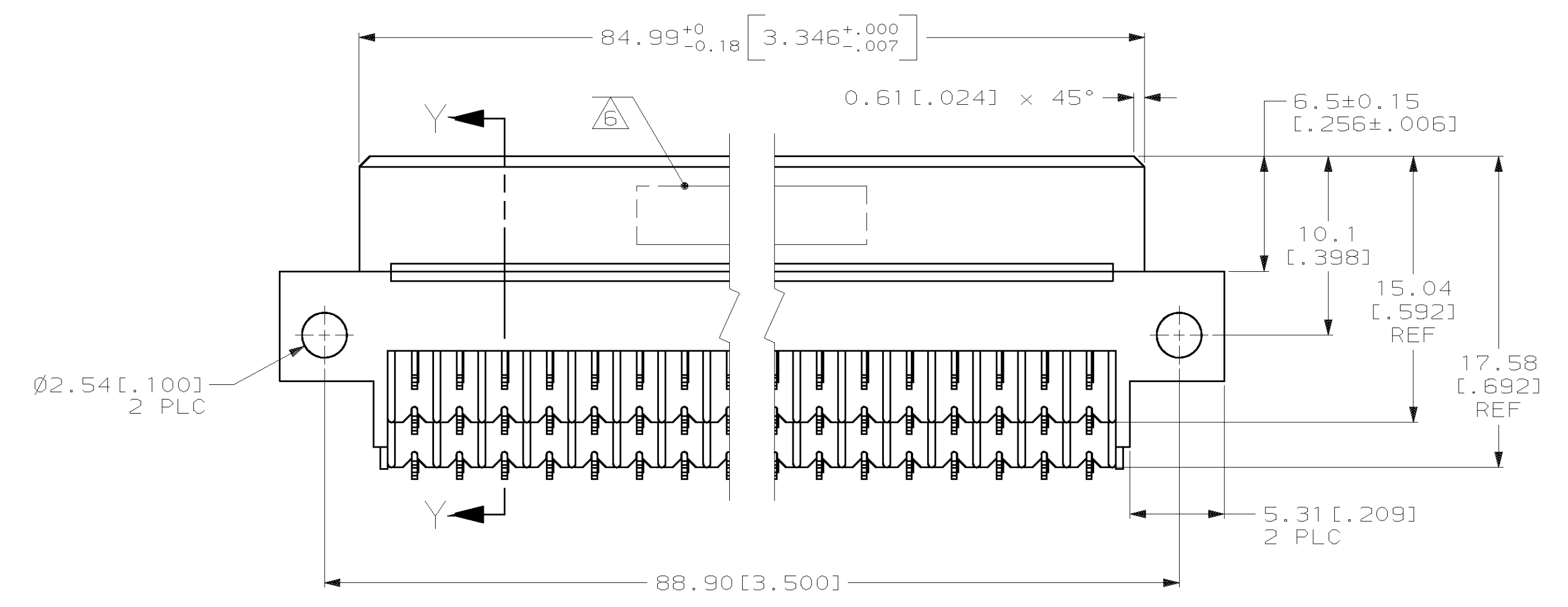
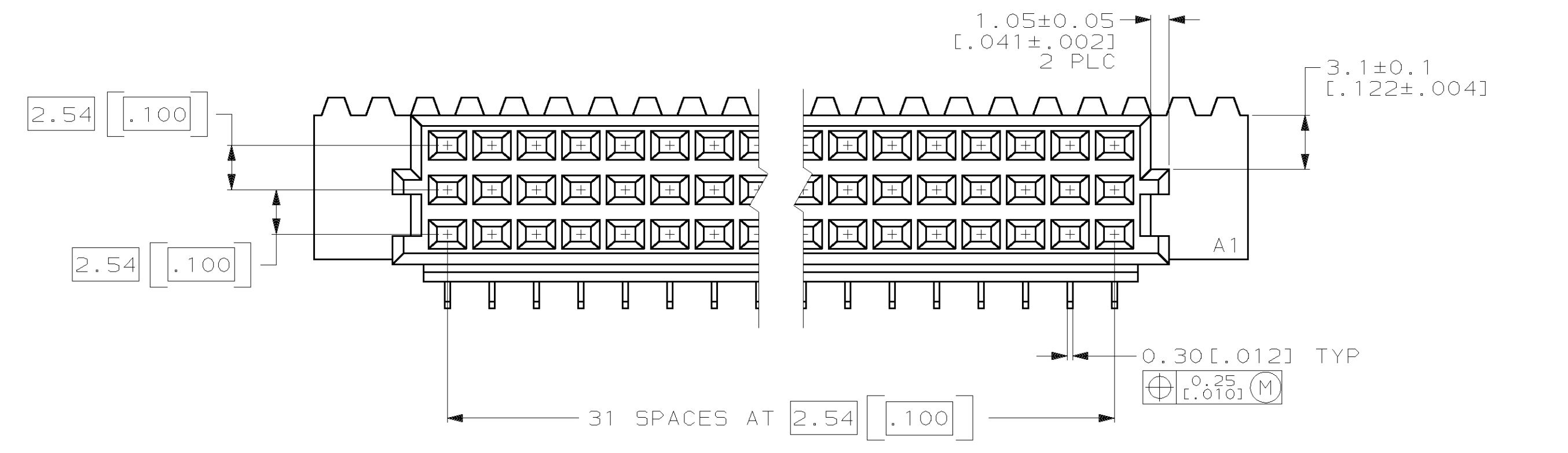


LOC	DIST	P	F	ZONE	LTR	DESCRIPTION	DATE	APPD
AD	25					M EC 0010-0651-96	5/13/96	CR
						N ADDED -6 PER EC 0621-103-99	08 APR 99	CR
						P REV PER EC 0512-0016-03	08 JAN 04	AS



1. DIMENSIONS IN BRACKETS ARE IN INCHES.
- △ HOUSING MATERIAL: GLASS-FILLED POLYESTER. COLOR: GRAY.
- △ CONTACT MATERIAL: PHOSPHOR BRONZE.
- △ CONTACT FINISH: 0.00076 [.000030] GOLD IN CONTACT AREA. 0.00127 [.000050] NICKEL UNDERPLATE ALL OVER. TIN-LEAD ON POSTS.
- △ RECOMMENDED HOLE SIZE FOR MANUAL APPLICATION OF CONNECTOR ONTO PC BOARD.
- △ PART NUMBER, DATE CODE IDENTIFICATION, CSA LOGO HOT-STAMPED THIS APPROXIMATE AREA.
- △ CONTACT POINT.
- △ HOT-STAMPING ON THIS SIDE.
- △ CONTACT FINISH: DIN 41612 CLASS 3 IN CONTACT AREA. TIN-LEAD ON POSTS.
- △ CONTACT FINISH: 0.00127 [.000050] GOLD IN CONTACT AREA. 0.00127 [.000050] NICKEL UNDERPLATE ALL OVER. TIN-LEAD ON POSTS.
- △ CONTACT FINISH: DIN 41612 CLASS 2 IN CONTACT AREA. TIN-LEAD ON POSTS.

NOTES	POSITIONS LOADED	ROWS LOADED			NO. OF LOADED POSITION	ASSY PART NUMBER
		C	B	A		
9	1 THRU 32	X	X	X	96	650461-9
11	1 THRU 32	X	X	X	96	650461-6
11	1 THRU 32	X	X	X	96	650461-5
4	1 THRU 32	X	X	X	96	650461-4
10	1 THRU 32	X	X	X	96	650461-1

DO NOT SCALE PRINT. UNLESS SPECIFIED DIMENSIONS IN mm [INCHES] TOLERANCES ON: 1 PLC DEC ± . 2 PLC DEC ± 0.13 [.005] ANGLES ± -	DR L. BRINER 3/13/90 CHK N. DRASHER 10/24/90 APPD N. DRASHER 10/24/90 MATERIAL HSG △ CONT △	NAME RECEPTACLE ASSEMBLY, EUROCARD, TYPE R, 96 POSITION
FINISH CONT △4△9△10△11	APPLICATION SPEC - WEIGHT -	SIZE D 00779 CAGE CODE 00779 DRAWING NO 650461 SCALE 4:1 SHEET 1 OF 1